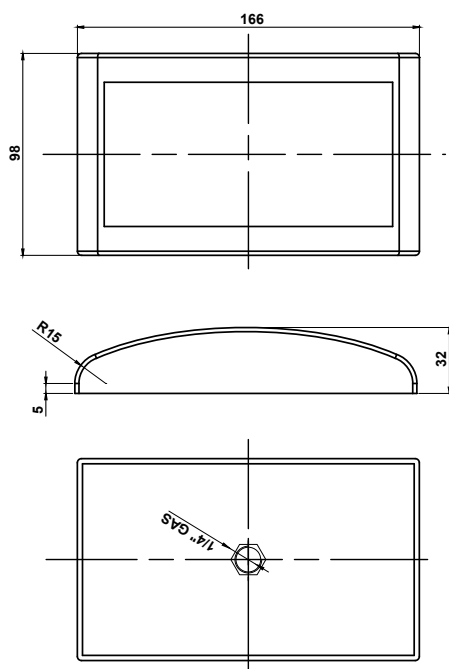




# I100 - Aeration pads



MODEL	AIR CONSUMPTION	
	0.2 bar (2.9 psi)	
	l/min	cfm
I100	2	0.07

## I100 - AERATION PADS

APPLICATION	Hopper and silo
POWDER	Fine and dust (cement and lime)
PROBLEM SOLVING	Bridge and rat-holing

## FEATURES

DUTY CYCLE	Continuous
WORKING PRESSURE	0.2 bar (2.9 psi)
PNEUMATIC CIRCUIT	Filter + flow control valve
AIR SUPPLY QUALITY	Class 5.4.1.
WORKING TEMPERATURE	From -20 °C to 80 °C (from -4 °F to 176 °F)
TECHNOLOGY	Fluidification
MATERIAL	Sintered PET filter, PS body

This information is furnished without warranty, representation, inducement or license of any kind. It is accurate to the best OLI knowledge or is obtained from sources believed to be accurate. OLI therefore assumes no legal responsibility.